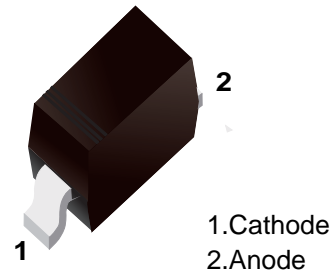


Schottky Diode

■ Features

- Extremely Fast Switching Speed
- Low Forward Voltage
- Pb-Free Package is Available



■ Simplified outline(SOD-323)



■ Absolute Maximum Ratings Ta = 25°C

Parameter	Symbol	Rating	Unit
Reverse Voltage	V_{RM}	30	V
Forward Current	I_F	200	mA
Repetitive Peak Forward Current	I_{FRM}	300	
Non-Repetitive Peak Forward Current (t < 1s)	I_{FSM}	600	
Power Dissipation -Derate above 25°C	P_d	200	mW
		1.57	mW/°C
Thermal Resistance Junction to Ambient	$R_{\theta JA}$	635	°C/W
Junction Temperature	T_J	150	°C
Storage Temperature range	T_{stg}	-55 to 150	

■ Electrical Characteristics Ta = 25°C

Parameter	Symbol	Test Conditions	Min	Typ	Max	Unit
Reverse breakdown voltage	V_R	$I_R = 10 \mu A$	30			V
Forward voltage	V_F	$I_F = 0.1 \text{ mA}$			0.24	
		$I_F = 1 \text{ mA}$			0.32	
		$I_F = 10 \text{ mA}$			0.4	
		$I_F = 30 \text{ mA}$			0.5	
		$I_F = 100 \text{ mA}$			0.8	
Reverse voltage leakage current	I_R	$V_R = 25 \text{ V}$			2	μA
Junction capacitance	C_j	$V_R = 1 \text{ V}, f = 1 \text{ MHz}$			10	pF
Reverse recovery time	t_{rr}	$I_F = I_R = 10 \text{ mA}, I_{R(REC)} = 1 \text{ mA}$			5	ns

Typical Characteristics

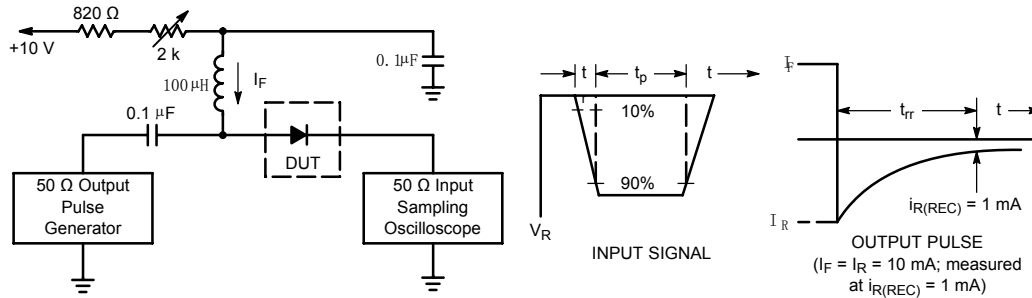


Figure 1. Recovery Time Equivalent Test Circuit

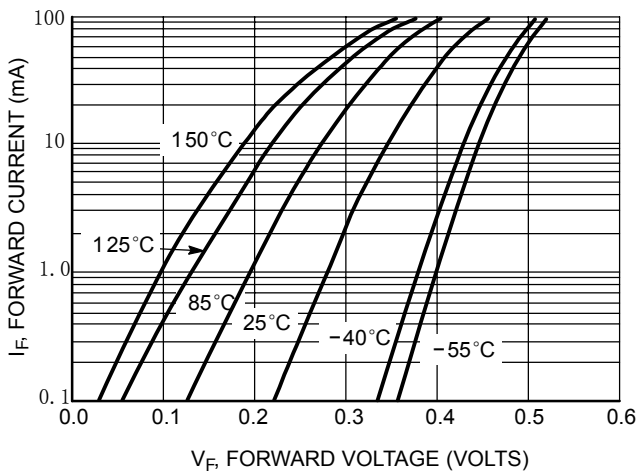


Figure 2. Forward Voltage

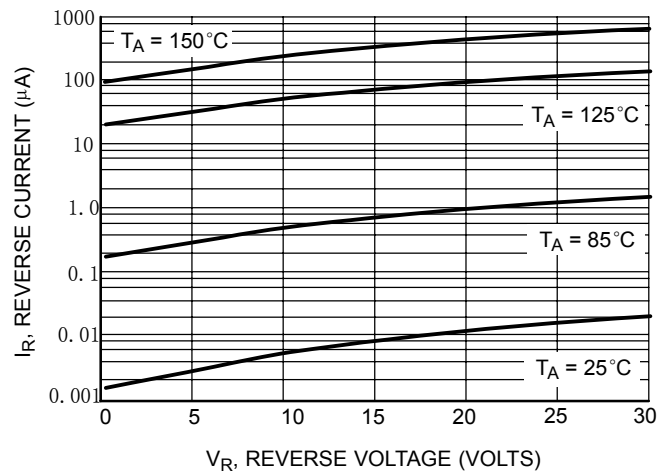


Figure 3. Leakage Current

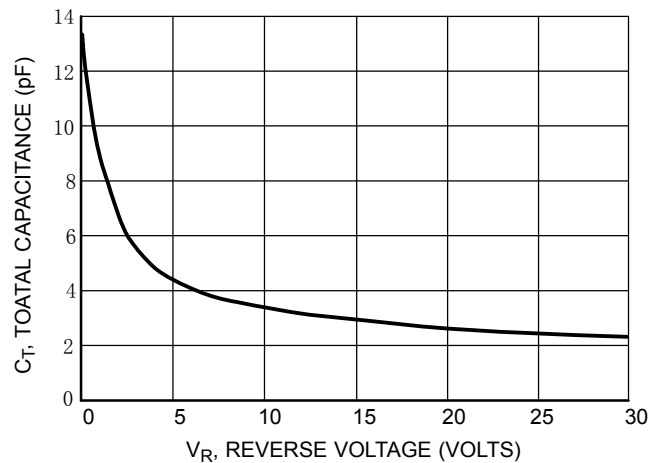
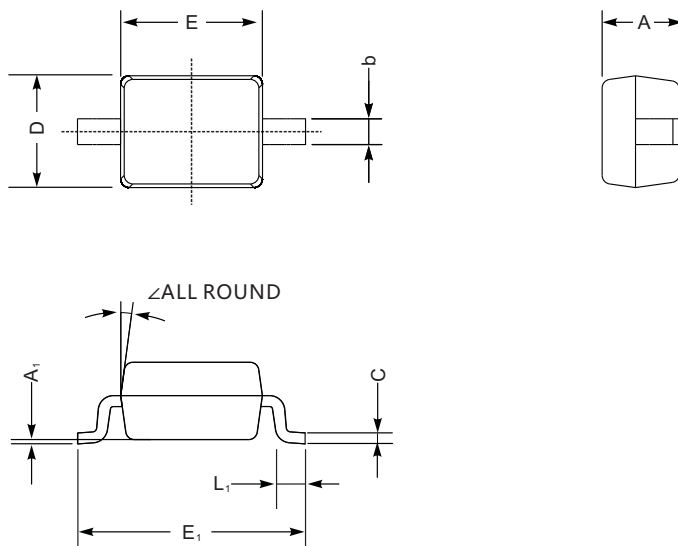


Figure 4. Total Capacitance

■ SOD-323



SOD-323 mechanical data

UNIT		A	C	D	E	E ₁	b	L ₁	A ₁	∠
mm	max	1.1	0.15	1.4	1.8	2.75	0.4	0.45	0.2	9°
	min	0.8	0.08	1.2	1.4	2.55	0.25	0.2	—	
mil	max	43	5.9	55	70	108	16	16	8	
	min	32	3.1	47	63	100	9.8	7.9	—	

■ The recommended mounting pad size

